

WARNING: READ THIS OWNERS MANUAL BEFORE USING THIS REVOLVER. THERE ARE IMPORTANT SAFETY INSTRUCTIONS AND WARNINGS WHICH MUST BE UNDERSTOOD AND USED TO AVOID INJURY AND OR DEATH.

LEAD WARNING: Discharging firearms in poorly ventilated areas, cleaning firearms or handling ammunition may result in exposure to lead and other substances known to cause birth defects, reproductive harm, and other serious physical injury. Have adequate ventilation at all times. Wash hands thoroughly after exposure.

Only load caliber ammo for which cylinder is chambered.

ROUGH RIDER SINGLE ACTION REVOLVERS

Specifications:

Caliber: 45 Long Colt and 410 Shot Shell 2 1/2"

Barrel: 4 3/4"

Weight: 44 Ounces

Finish: Black Satin

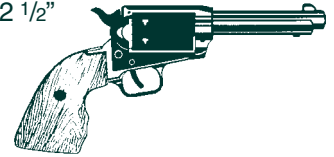
Action: Single Action

Capacity: 6 Shot Cylinder

Grips: Rosewood

Sights: Open Type Rear and
Fire Red Front Fiber

Features: Manual Hammer Block



Made in U.S.A.

We recommend that you seek instruction in safe firearm handling by a competent firearms instructor. Remember there is no substitute for safe handling. Safety devices are merely tools that in some instances can be manipulated to fail and therefore to rely solely on mechanical devices is to be only half safe.

Your Owners Manual

This manual contains important warnings which must be understood BEFORE using this firearm. Always keep it with the firearm. When you lend, give or sell this firearm, be sure the manual goes with it. You can also view our Owners Manuals online at www.heritagemfg.com.

TO VALIDATE YOUR ONE YEAR LIMITED WARRANTY YOU MUST FILL OUT AND MAIL THIS CARD

Place
Stamp
Here

HERITAGE MANUFACTURING, INC.
Attention: Warranty Registration
16175 N.W. 49th Ave
Miami, FL 33014

1 USING THE HAMMER BLOCK

- Point the revolver in a safe direction.
- Pull the hammer back to the second notch or click.
- Turn hammer block up as shown.
- Always keep the hammer block in the up position, except when actually firing.



2 A CLASSIC "4 CLICK" SINGLE ACTION REVOLVER

Your Rough Rider is a classic "4 click" Single Action Revolver. With the Rough Rider pointed in a safe direction, the hammer block in the up (safe) position and your finger outside the trigger guard, pull the hammer back to the 1st "click." This is the old Colt "safety notch." **DO NOT RELY ON THE SAFETY NOTCH.** Always leave an empty chamber under the hammer. See **LOADING** section.

Pull the hammer back to the 2nd "click." This is the "loading notch." In this position the cylinder spins freely and the Rough Rider can be loaded and unloaded through the loading gate when it is open. Do not leave the hammer in the loading notch unless you are loading or unloading your Rough Rider.

The 3rd notch is of no consequence to the shooter. Pull the hammer all the way to the rear or 4th notch. This is the "cocked" position and the Rough Rider will fire if the hammer block is in the flat/down/back (fire) position and a loaded chamber is under the hammer.

WARNING: Single Action Revolvers such as the Rough Rider can fire if your thumb slips off of the hammer spur while you are pulling the trigger to lower the hammer.

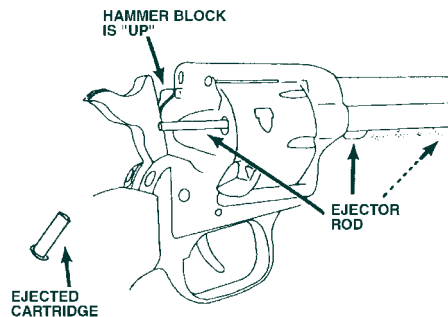
TIP: Practice lowering the hammer with your Rough Rider **completely empty** and pointed in a safe direction until you are comfortable.

DRY FIRE: Please be sure not to "dry fire" the revolver. If you cock the hammer, pull the trigger when there are no shells in the chamber and the hammer block is not in the "up" position, the hammer will strike the firing pin causing the firing pin to hit the cylinder. When this firing pin hits the cylinder and there is no ammunition in the revolver the cylinder will become damaged, dented and will void the manufacturers warranty.

3 UNLOADING

- Point the revolver in a safe direction.
- Put the hammer block in the up position.
- Pull the hammer back to the 2nd notch or click and the cylinder will turn freely.
- Open the loading gate to expose the chambers
- Line up the chamber with the ejector rod, and push out the cartridge. Line up the next chamber and repeat this until all chambers are unloaded. **Be sure to double check that all chambers are empty.**

Note: Spent shells or cases may not fully or partially eject. In some cases, the cylinder must be removed and the empty rounds must be pushed out with the base pin. **See #6 for instructions on how to remove the cylinder.**



WARNING: Do not Carry this revolver with a live round chambered under the hammer and firing pin. Keeping an empty chamber under the hammer with the hammer block in the up position is good insurance against accidental firing.

4 LOADING

Loading your Rough Rider to carry it and loading your Rough Rider to shoot right away are very different.

DANGER: Single Action Revolvers such as the Rough Rider will fire if dropped with the hammer down on a live cartridge.

For safety, “load one, skip one, load four” if you plan to carry your Rough Rider. That way your Rough Rider will have an empty chamber under the lowered hammer but your Rough Rider will fire when you pull the hammer back and pull the trigger.

WARNING: Single Action Revolvers such as the Rough Rider can fire if your thumb slips off of the hammer spur while you are pulling the trigger to lower the hammer.

TIP: Practice lowering the hammer with your Rough Rider completely empty and pointed in a safe direction until you are comfortable.

LOADING TO CARRY

For safety “load one, skip one, load four”.

- Point the revolver in a safe direction.
- Put the hammer block in the up (safe) position.
- Pull the hammer back to the 2nd notch (or click) so the cylinder will turn.
- Open the loading gate to expose the chambers in the cylinder.
- Rotate the cylinder viewing each chamber through the open loading gate to make certain the revolver is unloaded.
- Insert one cartridge in the first chamber then turn the cylinder but skip the next chamber! **Leave it empty!**
- Then rotate the cylinder loading the next 4 and close the loading gate.
- Pull the hammer all the way back and lower the hammer.

WARNING: Do not carry this revolver with a live round chambered under the hammer and firing pin. Keeping an empty chamber under the hammer with the hammer block in the up position is good assurance against accidental firing

LOADING TO FIRE RIGHT AWAY

- Point the revolver in a safe direction.
- Put the hammer block in the up position.
- Pull the hammer back to the 2nd notch or click and the cylinder will turn freely.
- Open the loading gate to expose the chambers.
- Insert one cartridge in each chamber until the cylinder is loaded and close the loading gate.

5 FIRING

- Keep the hammer block in the up position.
- Keep your finger out of the trigger guard until you are ready to fire.
- Point the revolver at the target and be sure of what lies behind it.
- Pull the hammer all the way back with a smooth stroke until it stops. Then allow the hammer to move forward (It will move slightly) until the trigger engages in the hammer at full cock.
- Push the hammer block down to disengage it.
- Put your finger inside the trigger guard and slowly squeeze while you line up the sights on the target.



WARNING: Quick draw and or fanning the hammer are dangerous and abusive to your revolver. Never quick draw a loaded revolver. Fanning and quick drawing will void your manufactures warranty.

DRY FIRE: Please be sure not to “dry fire” the revolver. If you cock the hammer, pull the trigger when there are no shells in the chamber and the hammer block is not in the “up” position, the hammer will strike the firing pin causing the firing pin to hit the cylinder. When this firing pin hits the cylinder and there is no ammunition in the revolver the cylinder will become damaged, dented and will void the manufacturers warranty.

SIDE BLAST: All revolvers have a side blast of cylinder gas. As hot gases push the bullet down the barrel, gas will escape from the gap between the barrel and the cylinder. Be sure that on-lookers are behind you.

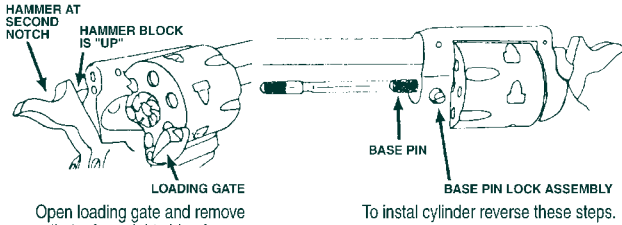
WARNING: Always listen for squib loads. A squib load is a projectile that gets stuck in the barrel. It has an abnormal sound upon discharge. This malfunction is dangerous because if disregarded, you may fire another round directly into the obstructed barrel causing your gun to “explode” and incurring injuries to you and those around you.

WARNING: Keep people behind and away from you and keep your hands and body clear of the sides of the revolver when firing. Always wear safety glasses when firing this or any other firearm.

WARNING: Exposure to firing without ear protection will lead to hearing loss. Always be sure to wear ear plugs or ear phones when firing. Ask your local dealer to show you what is available to protect your ears from hearing loss.

6 REMOVING CYLINDER

- Keep the hammer block in the up position.
- Pull the hammer back to the second notch or click.
- Check every chamber to be sure it is empty, never change cylinders that are loaded.
- Press the base pin lock nut while pulling the base pin out of the frame.



- Before loading, test the base pin engagement by pulling it forward without pressing in the base pin lock nut. If installed properly you should not be able to pull it out.

WARNING: Never remove or install a loaded cylinder. If dropped or struck by a hard surface it is possible for the ammunition to fire.

7 CLEANING AND MAINTENANCE

After each firing be sure you unload your Rough Rider and clean it thoroughly.

1. Remove the cylinder, no further disassembly is recommended. This will allow easy access to the firing pin, breech, and the barrel.
2. Use a bore solvent/lead cleaner only on the barrel and cylinder. Bore solvent/lead cleaners can damage the finish on your frame and back strap. Using a cleaning brush and bore solvent/lead cleaner, thoroughly clean and scrub the barrel and chambers. Be careful not to get it on your frame. A toothbrush with bore solvent/lead remover can be used to clean the fire pin area.
3. Using a cleaning rod, thoroughly wipe off any excess bore solvent. Remember that bore solvent is caustic and can remove the finish so wipe off and dry any areas exposed to the solvent.
4. With a clean cotton patch soaked in gun oil be sure to coat the inside of the barrel & chambers with a fine film of oil to prevent rust.
5. The exterior of the revolver should be wiped down with a clean cotton cloth and then a light film of oil should be applied. Be sure to use a light film as too much oil will attract dirt and dust.
6. Store your revolver in a cool dry area and always be sure to secure the revolver out of the reach of children.

COMMANDMENTS OF SAFETY

- Never point a firearm at anything you don't intend to shoot.
- Never accept a firearm without opening it yourself to check to see if it is loaded.
- Carry loaded revolvers and pistols with empty chambers under the hammer.
- Always empty handguns before carrying into a home, car, boat or RV.
- Always wear hearing and eye protection and be sure of what lies behind your intended target.
- Always seek instruction in handgun safety from a qualified instructor or see your dealer.
- Always keep firearms out of the reach of children. Keep guns and ammo separate.
- Always check the barrel of your firearm to be sure it is clear of obstructions.
- Never mix alcohol or drugs with the shooting sports. Be a sober shooter.
- If the gun fails to fire when the trigger is pulled, keep it pointed in a safe direction while unloading.
- Always carry and store your gun in a proper holster and or carrying case. This protects the firearm from damage.
- Never leave a loaded firearm unattended.
- Always be sure your ammunition is the proper caliber for the firearm you are using. Do not use reload or any questionable ammunition.
- Place a gun lock on your firearm when storing it.
- Never place a gun lock on a loaded firearm.
- Locking your firearm might result in your death due to slow accessibility.

45LC / 410

PARTS LIST

- | | |
|----------------------------|--------------------------|
| A. Trigger 1/4" | T. Loading Gate Spg |
| B. Trigger Screw | U. Loading Gate Detent |
| C. Trigger Spring | V. Ejec/Rod & Lever |
| D. Trigger Spring Screw | W. Ejec/Tube |
| E. Hammer Block | X. Ejector Spring |
| F. Hammer Block Spring | Y. Ejector Tube Screw |
| G. Hammer Block Detent | Z.1 Base Pin |
| H. Hammer | Z.2 Base Pin Lock Spring |
| I. Hammer Screw | Z.3 Base Pin Lock Nut |
| J. Hammer Spring | Z.4 Base Pin Lock Screw |
| K. Cylinder Hand | |
| L. Cylinder Bolt | |
| M. Cylinder | |
| N. Firing Pin | |
| O. Firing Pin Spring | |
| P. Firing Pin Cup | |
| Q. Firing Pin Pin | |
| R. Fiber Optic Front Sight | |
| S. Loading Gate | |

1. Grips-Overized Rosewood
See internet for more grip options
2. Grip Screw
3. Grip Pin
- 3.1 Grip Pin (2)
4. Back Strap Screws (4)
5. Back Strap-Front Screw
6. Back Strap-Regular

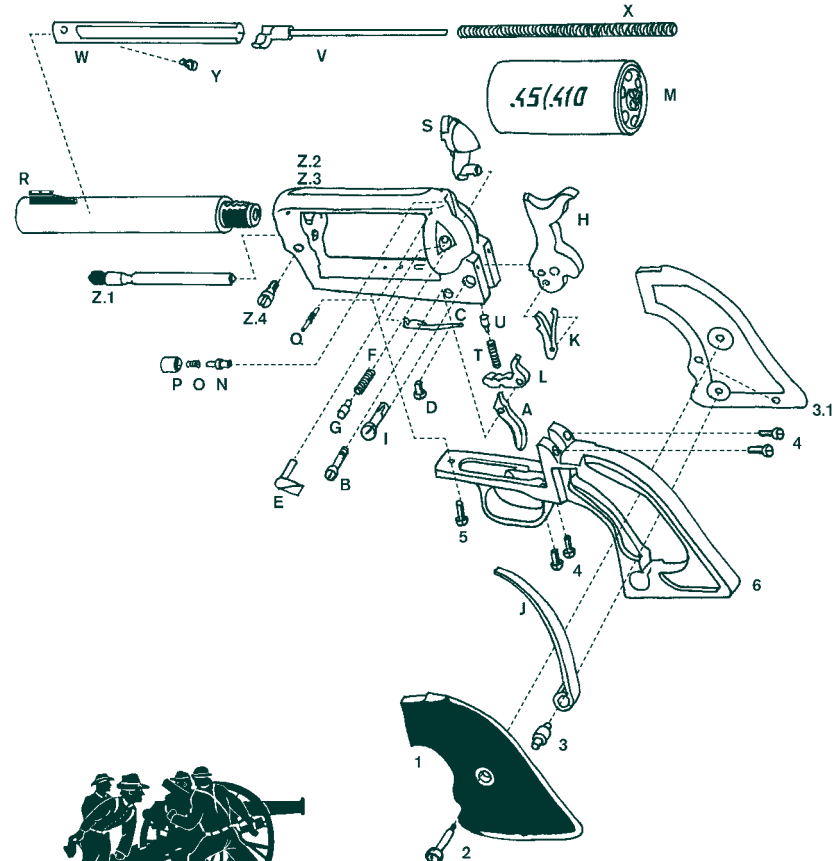
PLEASE SEND \$10.00 SHIPPING AND HANDLING FOR YOUR GUN LOCK
PLEASE SPECIFY "FINISH" ON YOUR PARTS ORDER

Please include \$10.00 per order for shipping. All orders must be prepaid by **money order or credit card or Via Internet.**

WARNING: This revolver was manufactured to perform properly with the original parts as designed. It is your duty to make sure that any part you purchase is installed correctly and that replacement parts or original parts are not altered or changed. Your gun is a complex tool with many parts that must relate correctly to the other. Assembling a firearm incorrectly or with altered parts can result in a damaged gun, injury or death. Do not attempt to work on it yourself. This is a small price to pay for your safety.

Prices are subject to change without notice.

EXPLODED VIEW DRAWING



ONE YEAR LIMITED WARRANTY

All Heritage Manufacturing Firearms are warranted to the original retail customer for one year from date of purchase against defects in material and workmanship. All parts and labor or replacement (at our option) are covered. You must send in your factory registration card to obtain warranty coverage.

Transportation to and from our warranty service center, damage caused by failure to perform normal maintenance, sales outside the United States, damage due to the use of high pressure, reloaded or other nonstandard ammunition, or an unauthorized repair, modification, misuse, abuse, including abuse by "fanning" the hammer, or alteration of the product is not covered by this limited warranty. Any implied warranties, including the implied warranties of merchantability and fitness for a particular purpose, are limited to one year from date of original retail purchase. Consequential or incidental damages or expenses, or any other expenses are not covered by this warranty.

To obtain warranty performance and service, send your product with proof of retail purchase, freight prepaid to:



Heritage Manufacturing, Inc.
Attention Warranty Service
Center 16175 N.W. 49th Ave
Miami, FL 33014

Any questions relating to warranty service should be directed to us at the following number: (305) 685-5966 or www.heritagemfg.com

REGISTRATION FOR WARRANTY

Date purchased: _____ Buyer's Name: _____
Serial No: _____
Street: _____
City: _____ State: _____ Zip: _____
Dealer's Name: _____
Street: _____
City: _____ State: _____ Zip: _____
Dealer's Phone: _____

**You can also register your Rough Rider online.
Please go to www.heritagemfg.com and click on Warranty Form.**